



Manufacturer: Multivac
Type: R535
Year Built: 2014

This used Multivac R535 Thermoformer is built in 2014. The machine has a film width of 420mm and there is a dye set on the machine with an exit of 600mm. The format is now divided in a 3.1 format. The machine is equipped with 4 formats. These formats can be used for Soft and Rigid Film packaging. The format does not have a stamp. The frame of the machine is currently 10500mm long, but we can always adjust this to the dimension you need.

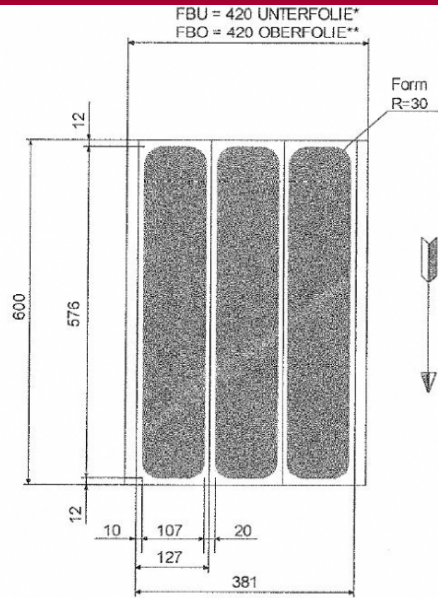
Machine details

- Type under foil unwinding: 76mm Core.
- Type top foil unwinding: 76mm core.
- The machine has 1 QRP cut.
- The machine is equipped with a Cassette Undercut length cutting.
- For the process the residual foil is a Roll-up wheels on this machine.
- The products come from the machine on a Modulair belt.

Other features of the machine

- Vacuum option
- Gas flushing
- Forming Pump
- Boosterpump
- Coarse and fine system

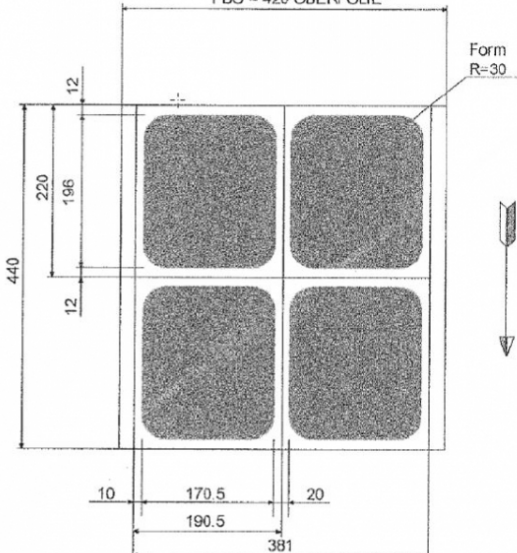
If you wish, you can contact us more photos or information.



Packungsmaß: 127,00 mm x 600,00 mm
Formmaß: 107,00 mm x 576,00 mm
min. Produktgewicht: 2000 g, max. Produktgewicht: 4000 g

Formatskizze - VORABVERSION

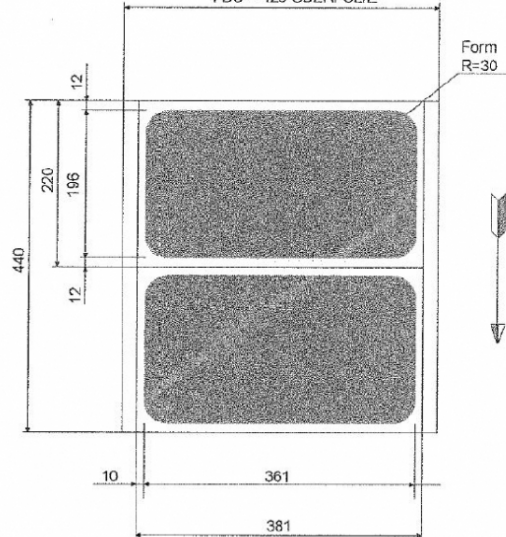
FBU = 420 UNTERFOLIE*
FBO = 420 OBERFOLIE**



Packungsmaß: 190,50 mm x 220,00 mm
Formmaß: 170,50 mm x 196,00 mm
min. Produktgewicht: 1500 g, max. Produktgewicht: 3000 g

Formatskizze - VORABVERSION

FBU = 420 UNTERFOLIE*
FBO = 420 OBERFOLIE**



Packungsmaß: 381,00 mm x 220,00 mm
Formmaß: 361,00 mm x 196,00 mm
min. Produktgewicht: 2500 g, max. Produktgewicht: 5000 g

